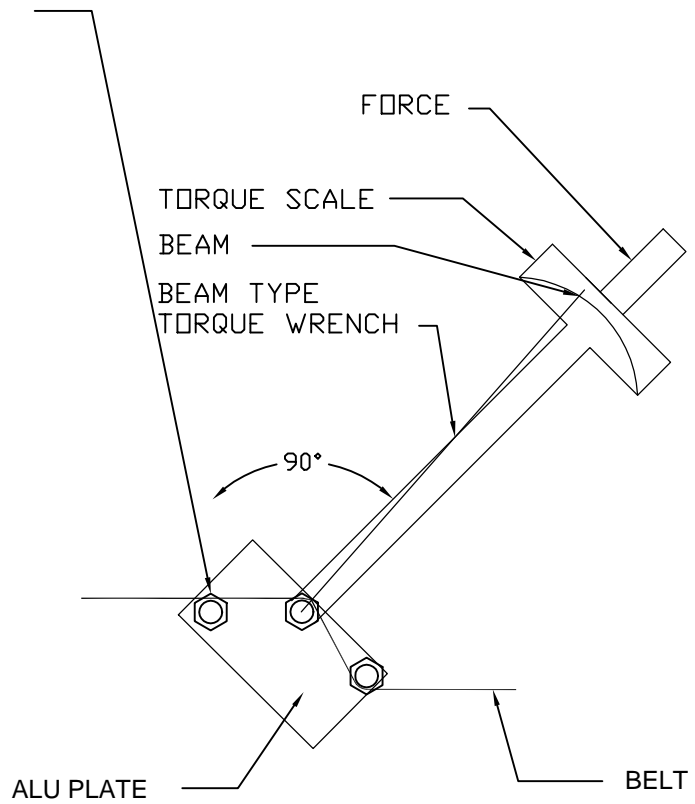


1	2	3	4
RevNo	Revision note	Date	Signature
			Checked

TAKE READING OF THE TORQUE WHEN THE BELT TOUCHES THIS BOLT. ADD TENSION TO INCREASE TORQUE READING LOOSEN BELT TO DECREES THE TORQUE



REVISED 02-13-05

Itemref	Quantity	Title/Name, designation, material, dimension etc			Article No./Reference	
Designed by DES	Checked by DES	Approved by - date DES - 01/1/05	File name NA	Date 01-13-05	Scale 1/2" = 1"	
AXS MOTOR SPORTS			BELT TENSION TOOL			
			T-2	Edition 00-1	Sheet T-1	