

RevNo

Revision note

Date

Signature

Checked

4

A

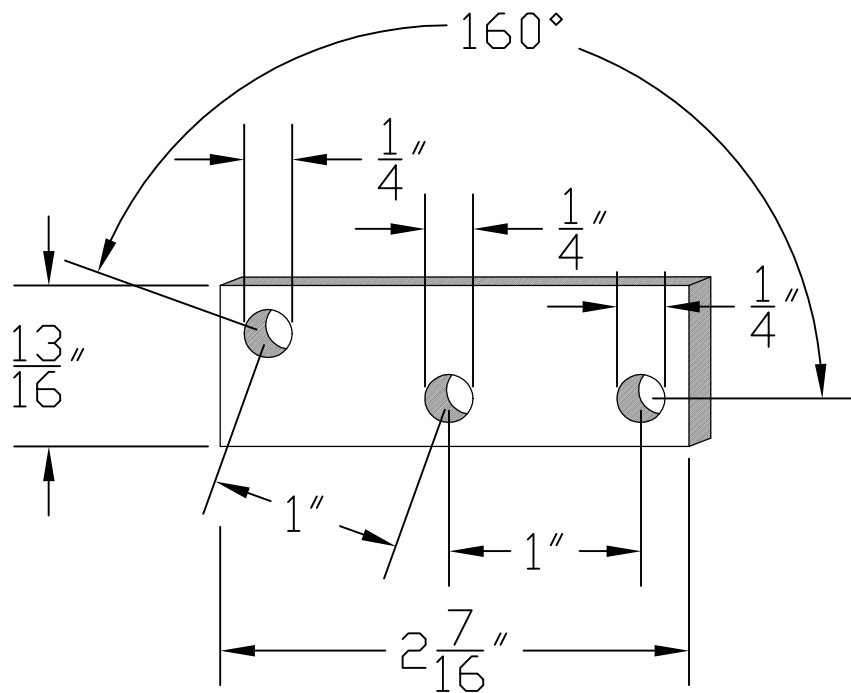
B

C

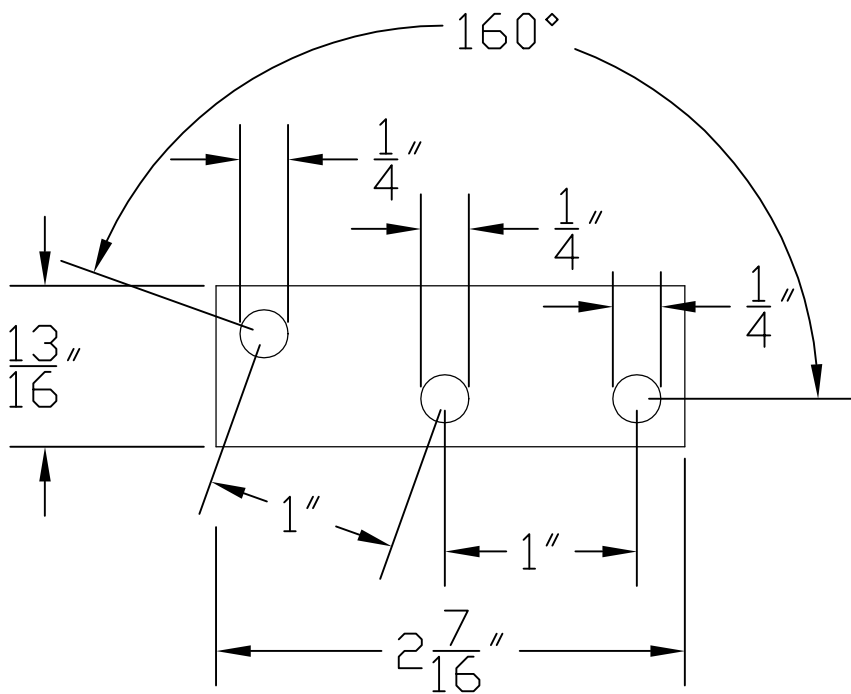
D

E

F



01-14-04 02



01-14-04 02

Itemref	Quantity	Title/Name, designation, material, dimension etc	Article No./Reference		
Designed by DES	Checked by DES	Approved by - date DES - 01/14/05	File name NA	Date 01-14-05	Scale 1/2" = 1"
AXS MOTOR SPORTS			BELT TENSION TOOL		
			T-3	Edition 00-1	Sheet T-3